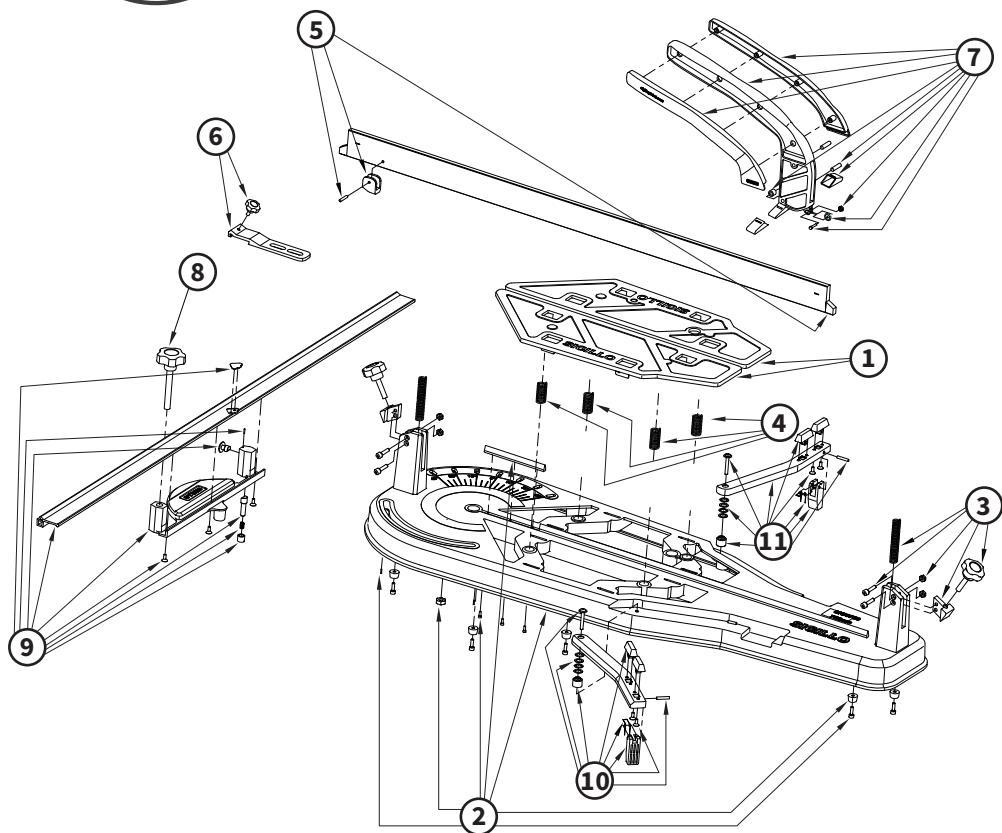




SIG0750

750 Master Tile Cutter



Number	Code	Description
1	SIG011	BASE PLATES
2	SIG024	BASE
3	SIG025	RAIL ADJUSTMENT
4	SIG004	PRESSURE SPRINGS X 4
5	SIG022	RAIL
6	SIG016	GUIDING RULE BAR
7	SIG017	HANDLE
8	SIG018	CLAMPING KNOB FOR GUIDE
9	SIG023	GUIDE
10	SIG020	LEFT EXTENSION BAR
11	SIG021	RIGHT EXTENSION BAR